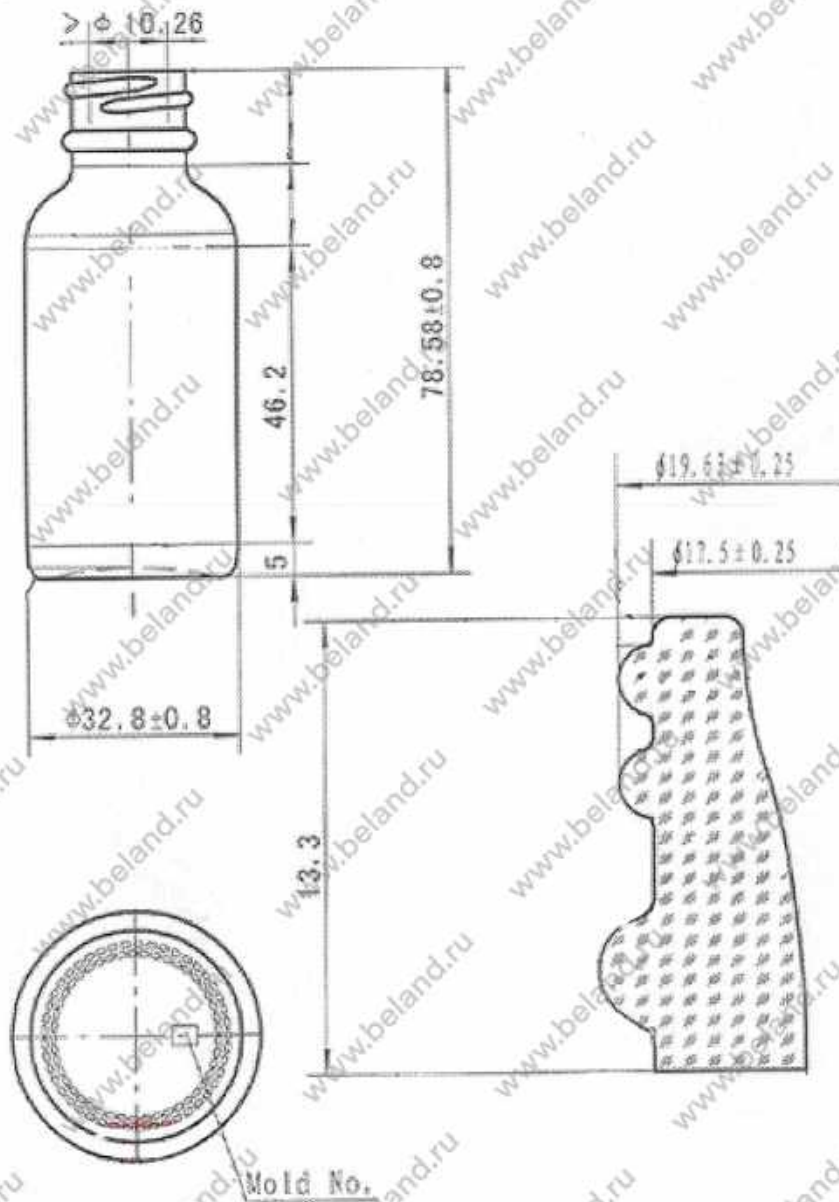
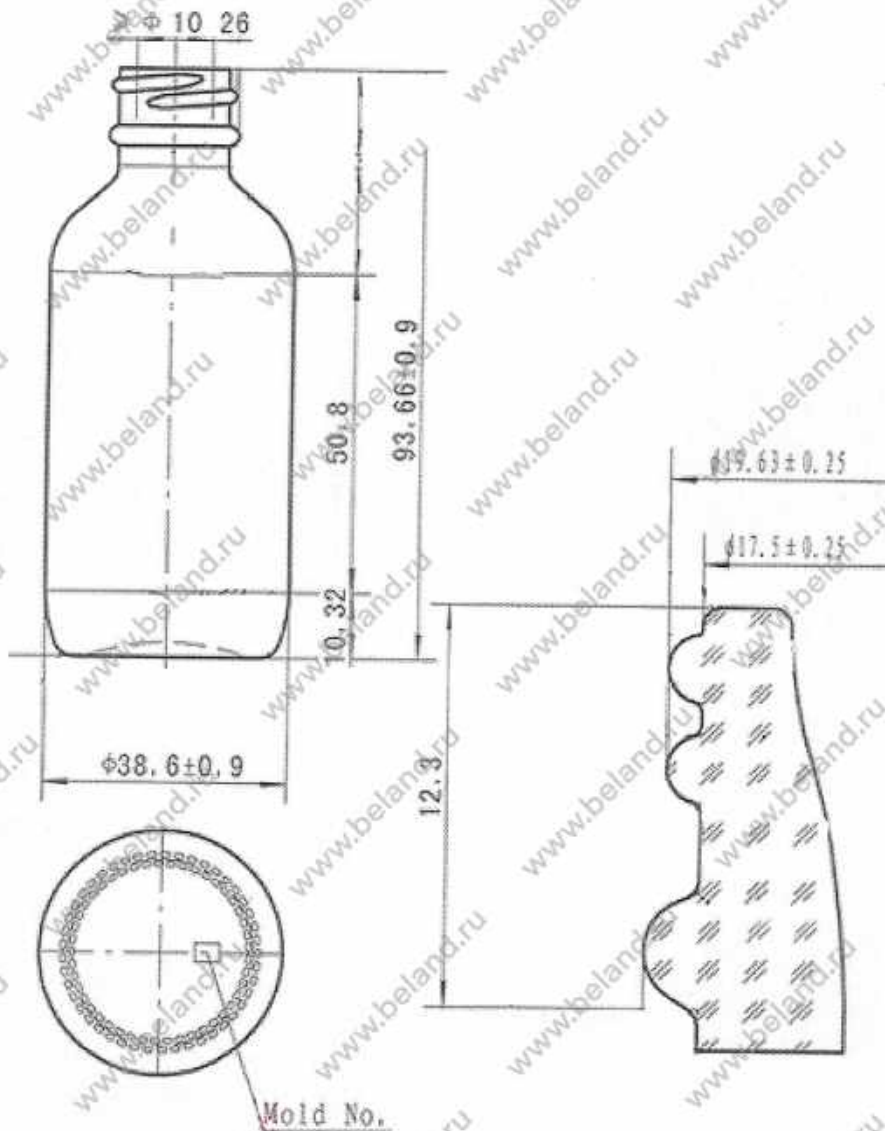


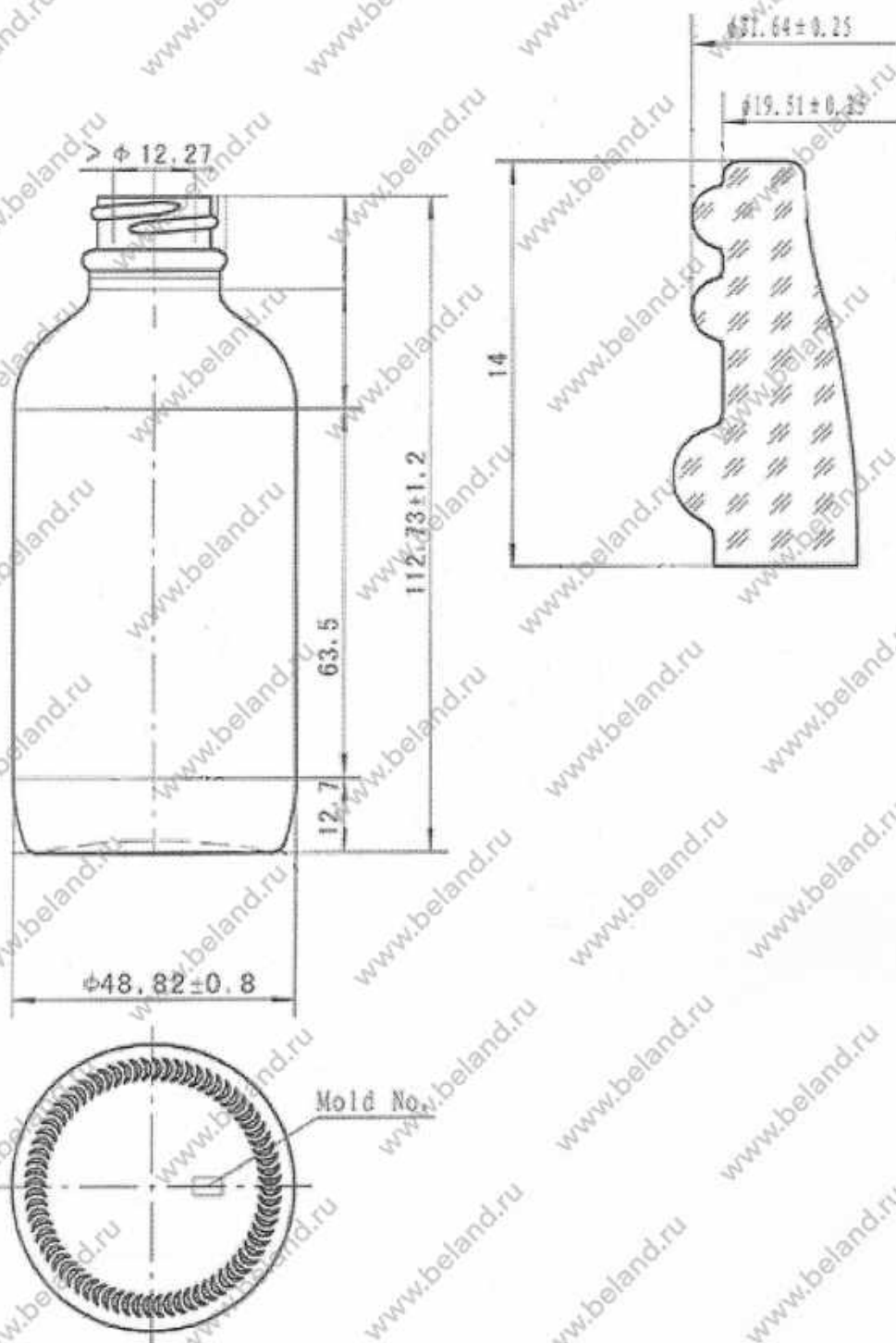
Filling Cap.:	$14.2 \pm 3\text{ml}$	DES'D by		REF. NO.:	430151#
		Date:		DRG. NO.:	
Brimful Cap.:	16.4	CHK'D by		Material	USP Type III
		Date:			Soda-lime Glass
Weight:	$25.3 \pm 6.5\text{g}$	APP'D by			
		Date:			



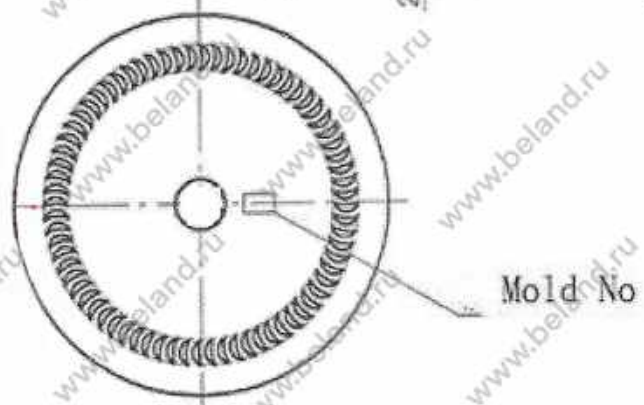
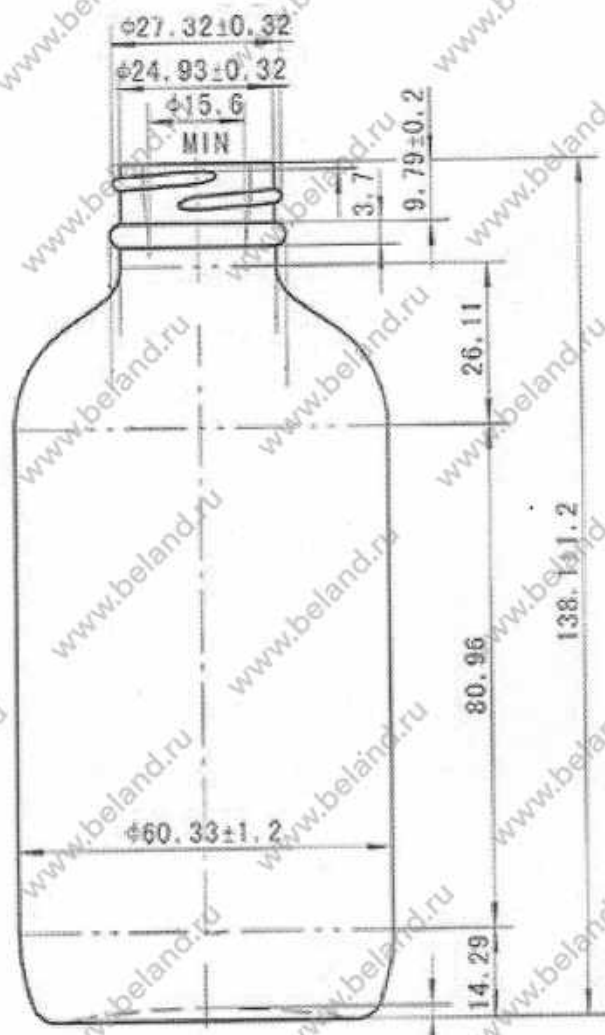
Filling Cap.:	$31.3 \pm 2.7\text{ml}$	DES'D by		REF. NO.:	430301#
		Date:		DRG. NO.:	
Brimful Cap.:	36.2ml	CHK'D by		Material	USP Type III
		Date:			Soda-lime Glass
Weight:	44 ± 7	APP'D by			
		Date:			



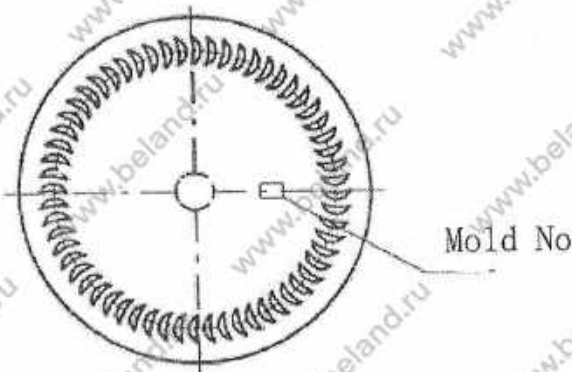
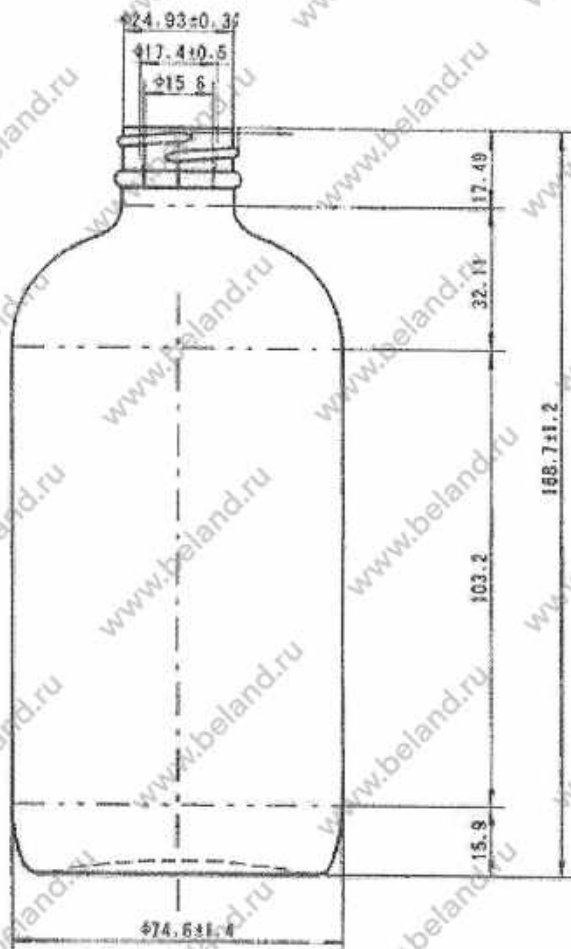
Filling Cap.:	$60.8 \pm 3\text{ml}$	DES'D by	Date:	REF. NO.:	430601#
Brimful Cap.:	63.8	CHK'D by	Date:	DRG. NO.:	
Weight	$58 \pm 7\text{g}$	APP'D by	Date:	Material	USP Type III Soda-lime Glass



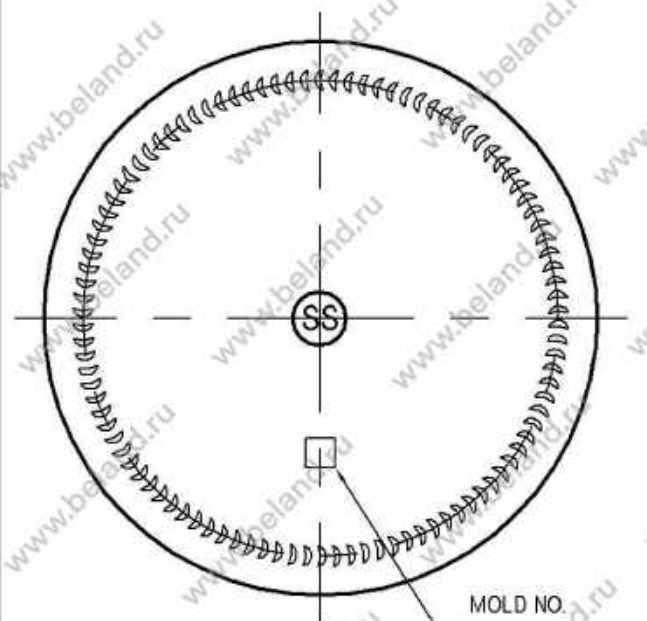
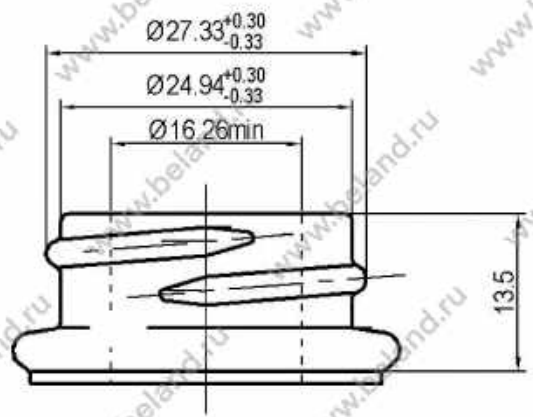
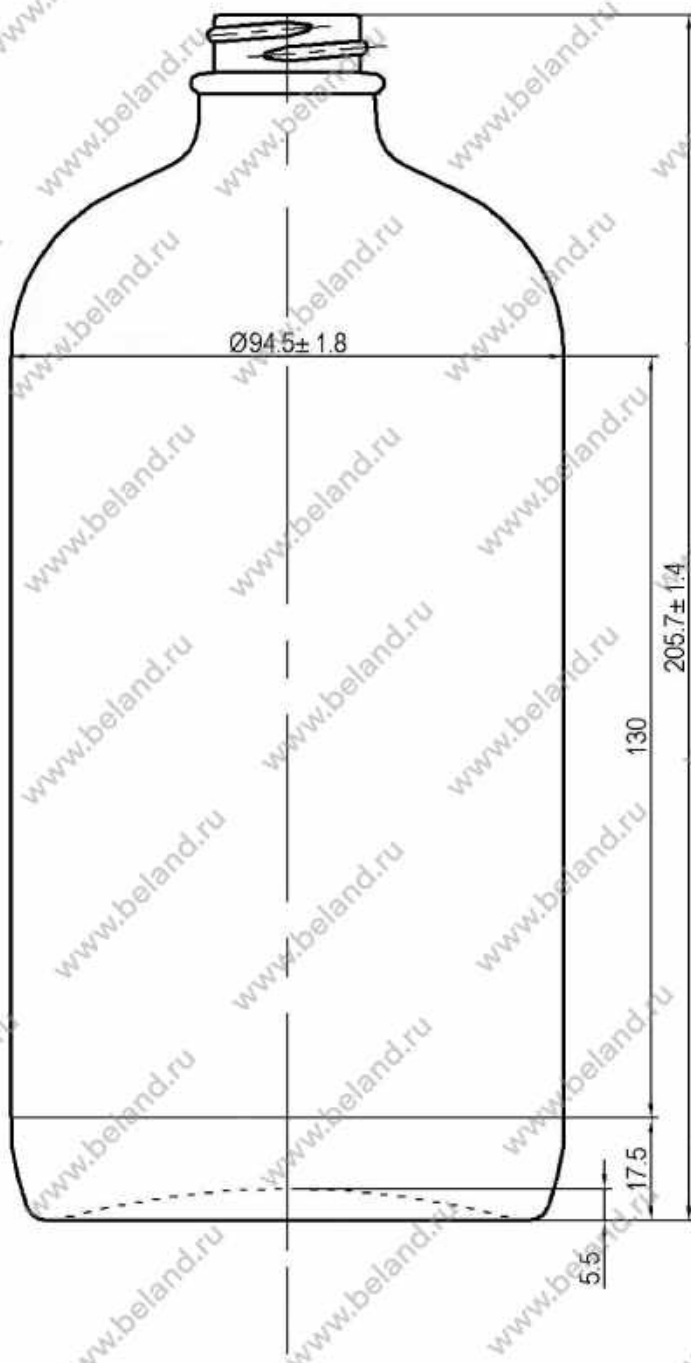
Filling Cap.:	120ml	DES'D by		REF. NO.:	431201#
		Date:		DRG. NO.:	
Brimful Cap.:	25.7 ± 2.3 ml	CHK'D by		Material	USP Type III Soda-lime Glass
		Date:			
Weight:	108 ± 7.1 g	APP'D by			
		Date:			



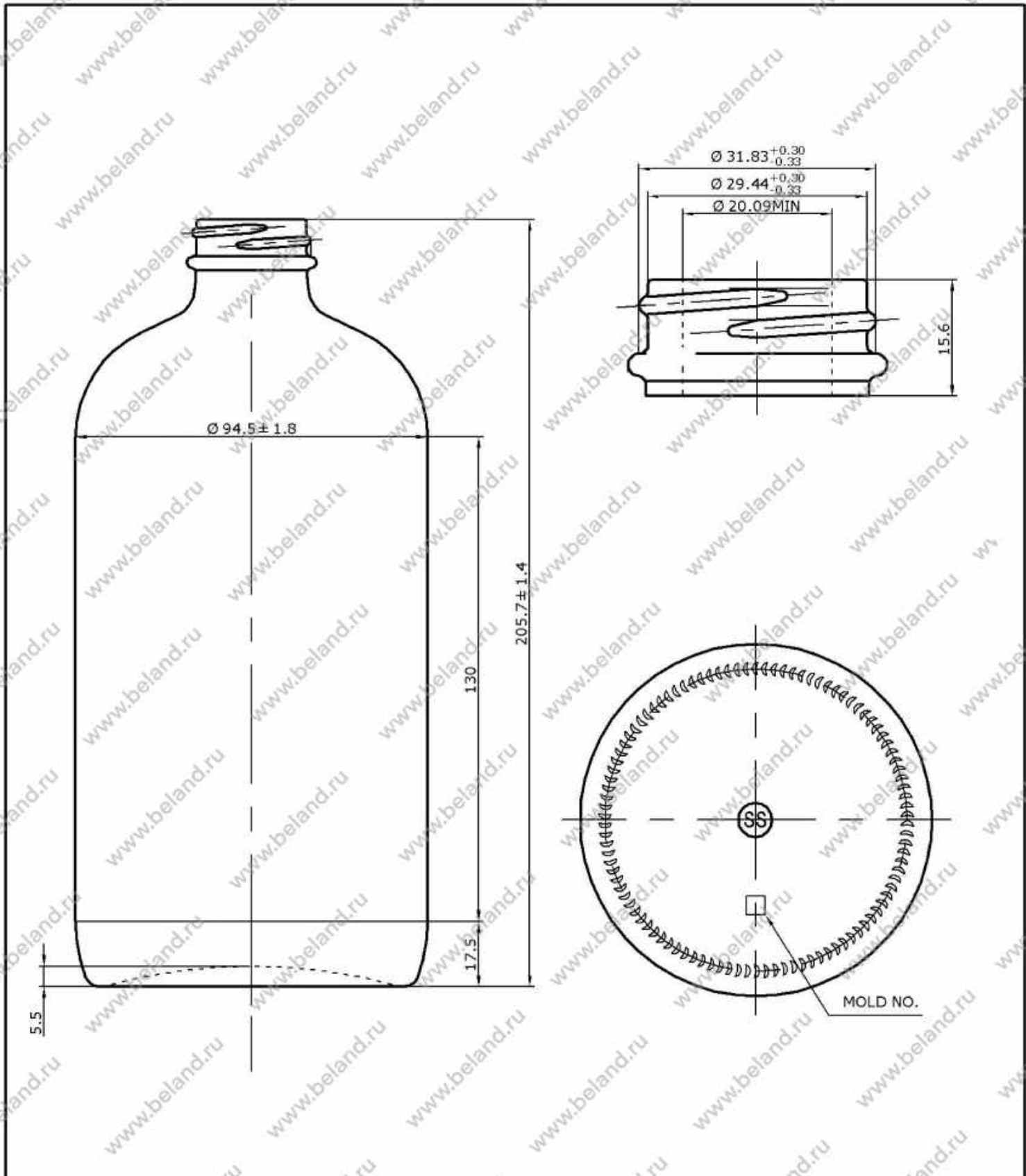
Filling Cap.:	235 ± 4ml	DES'D by	REF. NO.:	432301#
		Date:	DRG. NO.:	
Brimful Cap.:	251ml	CHK'D by	Material	USP Type III Soda-lime Glass
		Date:		
Weight:	175 ± 10g	APP'D by		
		Date:		



Filling Cap.:	480 ml	DES'D by		REF NO.:	434801 #
		Date:		DRG NO.:	
Brimful Cap.:	500±6 ml	CHK'D by		Material	Boston Round bottle, Type III
		Date:			Made of Soda-lime Glass
Weight:	≈ 255g	APP'D by			
		Date:			



Nominal Capacity	960 ml	Drawn			Drawing Name	439602 #	Scale
			Date				
O. F. Capacity	1000 ± 12cc	Checked			Material	Amber Glass	
			Date				
Weight	480 ± 20g	Approved					
			Date				



Nominal Capacity	960 ml	Drawn		Drawing Name	439602 #	Scale
O. F. Capacity	1000 ± 12 cc	Checked	Date	Material	Amber Glass	
Weight	480 ± 20 g	Approved	Date		33/400	